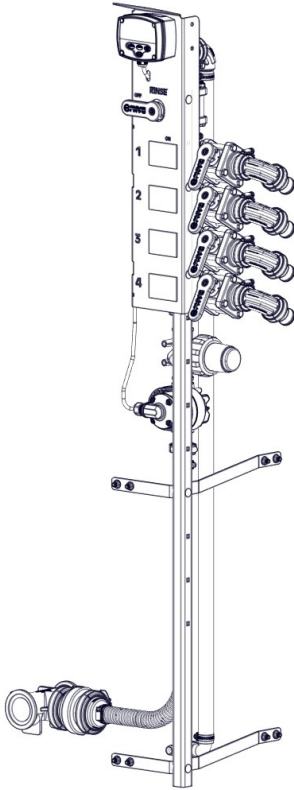


OWNER'S MANUAL

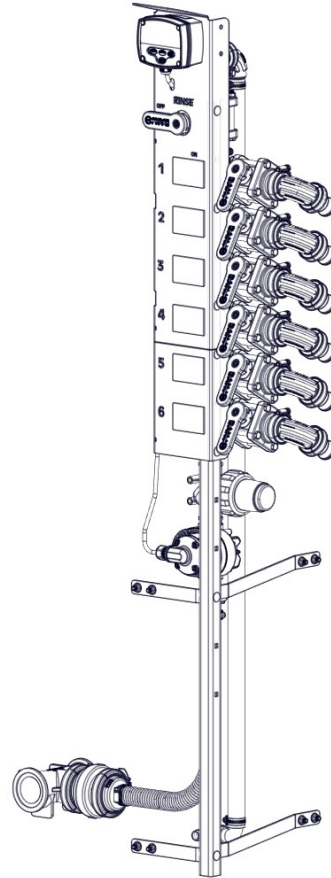
STS-EZ-METER System

(STS - Smart Transfer Systems for chemical and surfactant induction.)

Model: 5283077
STS-EZ-METER 4-Product



Model: 5283078
STS-EZ-METER 6-Product



**BEFORE RETURNING THIS PRODUCT
FOR ANY REASON, PLEASE CALL**

BAKERSFIELD, CA 877-724-2236	COLUMBUS, NE 800-274-1025	DOTHAN, AL 800-227-4098
FARGO, ND 701-280-2862	HOPKINSVILLE, KY 800-637-7172	MANKATO, MN 507-388-6295
NEWTON, KS 800-394-7662	PASCO, WA 800-634-2026	TEMPE, AZ 877-974-7166

If you should have a question or experience a problem with your Ag Spray Product: Visit our website @ www.agspray.com or call the Toll free number above. Our technical support representatives will be happy to help you.

In most cases a customer service rep. can resolve the problem over the phone.

To obtain prompt, efficient service, always remember to give the following information....

- Correct Part Description and/or part number
- Model number and Serial Number

Part descriptions and numbers can be obtained from the illustrated parts list section(s) of this manual.

Retain a copy of your receipt for your unit, as it will be required to validate any warranty service
Products are warranted against manufacturer or workmanship defects for one year from date of purchase for home owner usage and 90 days for commercial usage.

General Information

Thank you for purchasing this product. The purpose of this manual is to assist you in operating and maintaining your newly purchased product.



WARNING: To reduce the risk of injury, the user must read and understand the operator's manual before using this product.



WARNING: Cancer and Reproductive Harm
www.P65Warnings.ca.gov



www.agspray.com

[5195991

(02/24)]

Table of Contents

3-4	Operation & Safety Information
5-11	Installation & Basic Operations Instructions
12	STS-EZ-METER System 4-Product (5283077) Breakdown
13	STS-EZ-METER System 6-Product (5283078) Breakdown
14	Limited Warranty

Important Operation & Safety Information

WARNING

Read and understand **this owner's manual** completely before using the Meter System. Read each **chemical label's instructions** before handling the chemical.

Improper use of the meter or handling of chemicals could result in serious injury or illness for the operator or nearby persons/animals, or cause damage to the environment.

LISTED BELOW is a summary of safety information of particular importance. See individual sections of this owner's manual for more details.

----- **BEFORE YOU BEGIN** -----



Please read and understand this manual and its instructions and warnings completely before operating the Inductor.

- **Be aware of all safety guidelines, warnings and cautions including those of the pump manufacturer.**
- **Read and understand the chemical manufacturer's labels, warnings and instructions.**
- **Know and fulfill all state pesticide applicator license requirements.**
- **Familiarize yourself and other operators with the Meter System's components and how all parts are operated.**

----- **General Safety Guidelines** -----



Every year many unnecessary accidents occur do to improper equipment handling and a disregard for safety precautions. You, the operator, can avoid accidents by observing the precautions in this section.

- The operator should be a responsible adult. Do not allow persons to operate this Meter System until they have displayed a thorough understanding of the safety precautions and operational use!
- All operators must also fulfill state pesticide applicator license requirements.
- Never attempt to operate this Meter System when under the influence of alcohol or drugs.

----- **Before Operation** -----



- Carefully study and understand the owner's manual.
- Read and follow chemical manufacturer's labels, warnings and instructions! A material safety data sheet (MSDS) should be provided by the chemical manufacturer.
- To avoid injury from chemical hazards, wear the proper protective clothing. Each chemical manufacturer's clothing requirements are listed under the "Personal Protective Equipment (PPE)" section in the chemical instructions.
- Before adding chemicals, have all operators practice operating the Meter System (clean water only) and it's attachments until all operators are completely capable of safe operation.






BEFORE SEASONAL USE

- **CHECK and TEST Meter System with water before adding chemical.** Temperature change can cause material fitting expansion/contraction. Serious injury could result from chemical leaks.
- **REPLACE** any worn or frayed hoses. Hose failure can result in serious damage.
- **INSPECT** digital display. Insure the display is luminated. Failure to have a properly functioning display can result in miss applications of chemical. See pages 6 - 9 for display instructions.




General Chemical Safety

- **READ and FOLLOW** all chemical label's instructions and warnings.
- **AVOID** inhaling, ingesting or coming into contact with any chemicals.
- **KNOW** applicable licensing and regulatory requirements for the chemical you plan to use.
- **KNOW** emergency procedures before handling chemicals.
- **WEAR** protective clothing, eye protection and chemical resistant gloves when filling, using and cleaning the Meter System. Wear additional protective gear, such as facemask or apron, as recommended on the chemical label.
- **EXERCISE EXTRA CAUTION** around children or pets. Pesticides are especially toxic to them. Keep Meter System and spray materials away from them at all times.
- **DO NOT MIX OR POUR** chemicals in an enclosed, unvented area.
- **DO NOT USE** flammable or corrosive chemicals in the Meter System.
- **FLUSH** the Meter System with clean water after every use **AND** before switching chemicals.
- **STORE** pesticides in a correctly labeled container and in a secure location.
- **MONITOR** the health of operators frequently exposed to pesticides, as recommended by the chemical label or local/federal regulations.
- **CHECK** chemical compatibility with meter and other plumbing components.

 CAUTION	
PERSONAL PROTECTIVE CLOTHING TO BE WORN AT ALL TIMES WHEN HANDLING CHEMICALS	
	
WEAR APPROPRIATE HAND & EYE PROTECTION	

 NOTICE
Gallongage markers on the tank are for reference only. Check calibration before use.

 WARNING
DO NOT STORE OR TRANSPORT WITH LIQUID IN TANK

 WARNING
TOXIC CHEMICAL HAZARD To prevent serious injury or death:
<ul style="list-style-type: none"> • Handling Agriculture chemicals can be hazardous. • Read & follow the chemical manufacturers' instructions regarding the proper handling procedures and safety attire for the chemical being used.

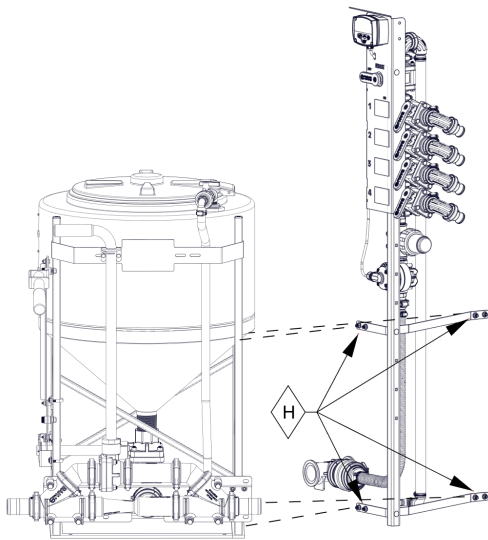
Installation & Basic Operation

The STS-EZ-METER System is designed to integrate with an STS Inductor system, models STS-402E (5281633), STS-403E (5282634), STS-652E (5281635) and STS-653E (5281636) which are equipped with Eductor Venturi plumbing kits, which are designed to be plumbed on the output or pressure side of your transfer pump. **DO NOT** reduce or restrict flow after the Venturi. Restriction can cause the Eductor Venturi to not function correctly causing the STS-EZ-METER System to not function correctly.

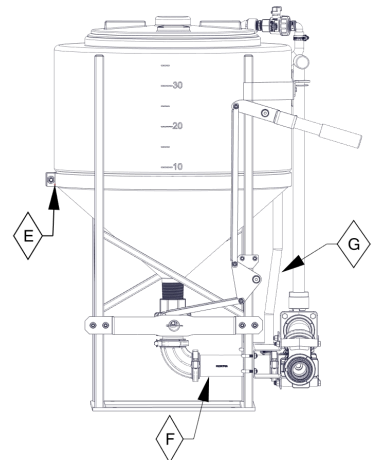
The STS-EZ-METER System can also be used with Models STS-40 (5281637) and STS-65 (5281638), which are designed to plumb on the suction side or inlet side of the transfer pump.

Installation (See page 12 or 13 for instructions on setting the control panel height)

For Pressure Side of Pump with Eductor Venturi Plumbing:

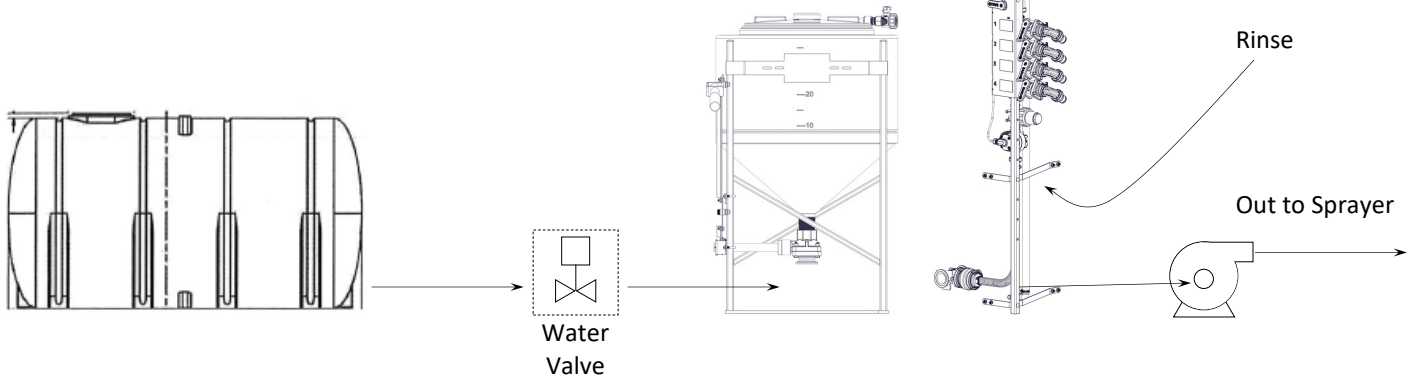
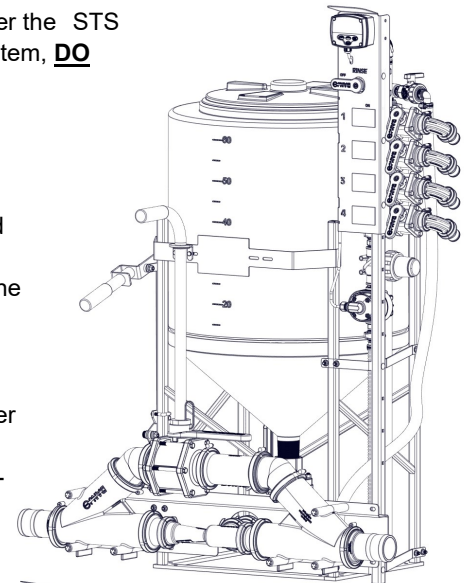


1. Attach the STS-EZ-METER support brackets (H) to STS Inductor stand with the included U- bolts.
2. Locate the manifold 6" coupling (F) under the STS Inductor. Loosen tank band (E).
3. Replace the manifold 6" coupling (F) with the included Manifold Tee (M220TEE). Retighten tank band (E).
4. Locate the rinse line hose (G) that runs to the STS tank rinse valve on top of the tank. Cut the hose 10" above the Venturi System. Insert the hose barb tee and fasten included hose clamps.
5. Once connected, you can draw from either the STS Inductor tank or the STS-EZ-METER System, **DO NOT** draw from both at the same time.

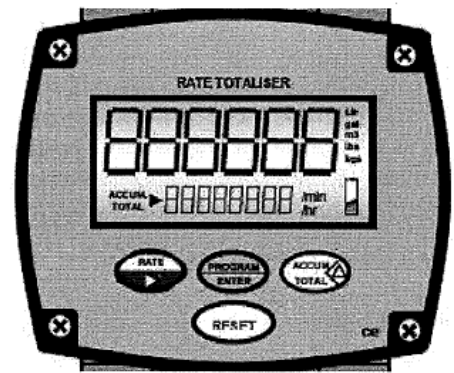


For Suction Side of Pump:

1. Attach the STS-EZ-METER support brackets (H) to STS Inductor stand with the included U-bolts.
2. For 2" plumbing systems, install the included Tee (M220TEE) in the plumbing between the supply tank and the transfer pump.
3. For 3" plumbing systems, an optional (not included) 3" tee and adapters would be required. Contact your nearest Ag Sprayer Dealer for assistance.
4. The rinse line will need to be plumbed into rinse system. Contact your nearest Ag Sprayer Dealer for assistance.
5. OPTIONAL: It is recommended to add a valve between the supply tank and the STS-EZ-METER System if the supply tank outlet valve is not easily accessible. This valve would allow the operator to regulate the carrier product flow to control the speed of inputs, especially in partial batch loads.



METER DISPLAY OPERATION



2. OPERATION

2.1 Accumulative Total

Accumulative total can be reset in the program mode. The accumulative total is displayed by pressing the ACCUM TOTAL key.






2.2 Resettable Total

The resettable total display remains visible at all times and may be reset at any time by pressing the reset button for 2 seconds.

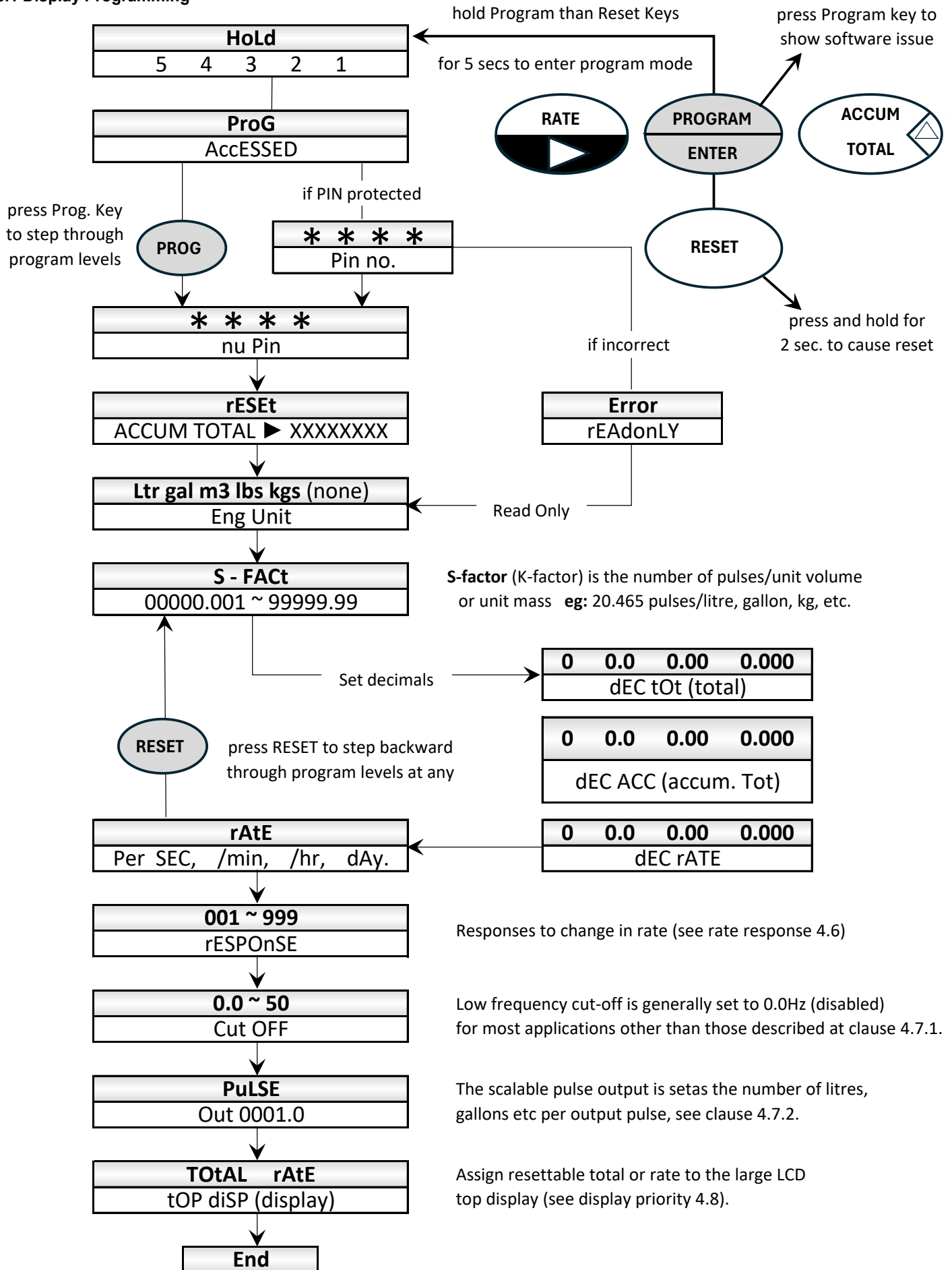
2.3 Rate Display

The second line display toggles between Rate and Accumulative Total as the appropriate keys are pressed. The instrument will default out of the rate mode after 4 minutes when under battery power, this is to conserve the battery as the unit draws more current when it needs to calculate rate. Under external power the instrument will remain on Rate or Accumulative Total as they are selected.

2.4 Keypad Function Matrix

Key	Function in Operating Mode	Function in Program Mode
	Displays Accumulative Total when pressed.	No Function
	No Function	Increments the selected digit each time that it is pressed.
	Resets the resettable total (hold for 2 sec.)	1) Resets the accumulative total to zero. 2) Back steps the program during programming.
	1) Pressing the Prog. & Reset keys for 5 seconds enters you into the program mode. 2) Displays model & software revision No.	Each press steps you through each level of the program.
	Displays flow rate when pressed.	Selects the digit to be set, the selected digit will be "flashing" indicating that it can be incremented.

5.1 Display Programming



4. PROGRAM PARAMETERS

4.1 PIN No. Program Protection

Any user defined PIN number other than 0000 will engage the program protection feature, failure to input the correct PIN number will deny the ability to change any of the program parameters, but will allow the user to step through and view the existing program parameters.

Only one PIN number may be set, but this can be changed at any time after gaining access through PIN entry. A second back up PIN number is installed at the factory should the programmed PIN be lost or forgotten.

(refer to bottom of page 16 for the back up PIN No. in Meter manual supplemental supplied.)

4.2 Resetting Accumulated Total

Resetting the accumulated total can only be done in the program mode.

4.3 Engineering Units

Select from available Engineering units to right of display (refer clause 1.4), for other engineering units set display to show no engineering units and program a suitable K-factor.

4.4 K-factor (scale factor)

Enter K-factor at S-Fact, up to 5 whole numbers and 3 decimal numbers can be entered using the arrowed keys.

4.6 Rate Response

Adjustable response (rate dampening) is available to smooth out fluctuating flow input signals in order to provide a stable rate display. The response number (ranged 001-999) represents the number of pulse intervals (duration between each pulse) that the processor averages and displays the rate as calculated.

As a general rule, it would be best to apply a response number which is a multiple of the number of pulses a meter produces for each cycle of its primary measuring element, for example a rotating element may produce 4 pulses per revolution so 004, 008, 012 or 016 would be ideal response settings whereas a turbine meters with high resolution pulse outputs would require response setting like 050, 100, 200 or in some cases involving high frequency pulse outputs e.g. 500hz, the response number would be set to say 999.

4.7.1 Low Frequency Cut-Off

The low frequency cut-off is most commonly set to 0.0 Hz (disabled) other than to:

- 1) To display rate for input frequencies below 0.25hz, for example setting the cut-off at 0.1 Hz the rate will continue to display for input frequencies as low as 0.1Hz (one pulse every 10 seconds), such conditions often apply to flowmeters with low frequency pulse outputs.
- 2) Inhibit the integration and registration of "apparent flow": which at time may be encountered on mobile installations where the movement of the vehicle or dead heading a pulsating pump may cause spurious flow signals which are not attributed to actual flow.
- 3) Inhibit the integration and registration of flow at input frequencies below what is considered the minimum accurate flow rate of the primary flow element (flowmeter).

Caution: If the low frequency cut-off is set to any value other than 0.0Hz, then the integration of rate and total will cease at Frequencies on or below the set frequency value.

4.7.2 Scalable Pulse Output

Pulse scaling (terminal 15) is set as the number of litres/gallons etc. per output pulse E.g. 0.1 litres/pulse, 10 litres/pulse, 100 gallons/pulse. Range is 0.1-9999.9 Eng.unit/pulse.

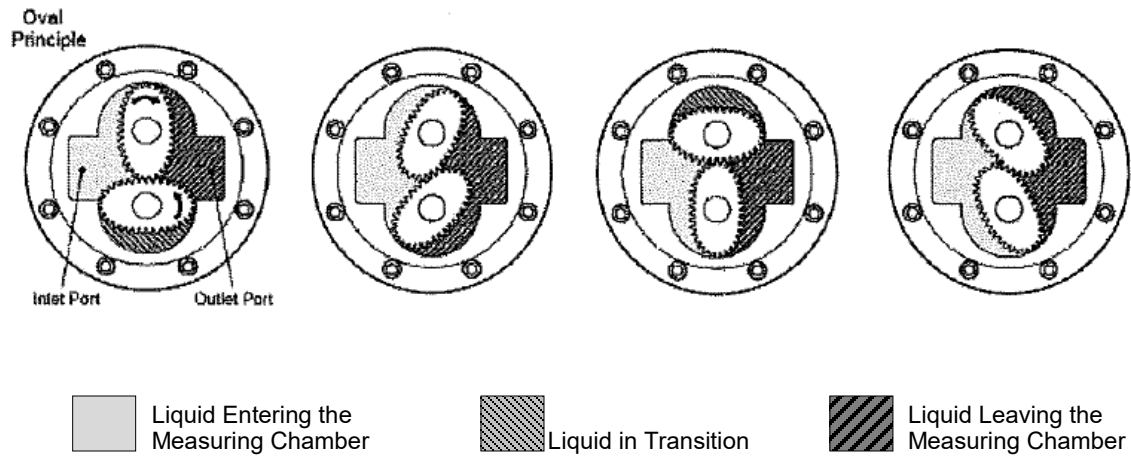
4.8 Display Priority

The large digits at the top of the display can be programmed to show either flow rate or resettable total. When flow rate is selected at the top display, the rate key can be used to cycle between rate, reset total and accumulate total, in this mode the instrument will default from rate to reset and accumulative totals after 1 minute, external power must be applied if required to display rate at top display continuously.

Pencil your program details here					
User selected PIN No.					
Engineering units					
K-factor (scale factor)	K =				
Decimal for reset Total	<input type="text"/> 0	<input type="text"/> 0.0	<input type="text"/> 0.00	<input type="text"/> 0.000	
Decimal for Accum. Total	<input type="text"/> 0	<input type="text"/> 0.0	<input type="text"/> 0.00	<input type="text"/> 0.000	
Decimal for Rate	<input type="text"/> 0	<input type="text"/> 0.0	<input type="text"/> 0.00	<input type="text"/> 0.000	
Time base for Rate	Units/	<input type="text"/> Sec	<input type="text"/> Min	<input type="text"/> Hr	<input type="text"/> Day
Rate response					
Low frequency cut-off	Hertz =				
Scaled pulse output	1 pulse =				
Top display set as	<input type="checkbox"/> Resettable total				<input type="checkbox"/> Rate

1.1 Operating Principle

Oval Gear flowmeters are positive displacement devices where the passage of liquid causes two oval geared rotors to rotate within a precision measuring chamber. Each rotation of the Oval rotors will transmit 4 identical volumes of liquid from the meter inlet to outlet (as shown in the diagram below); providing electronic pulses via magnetic sensors to a digital instrument.

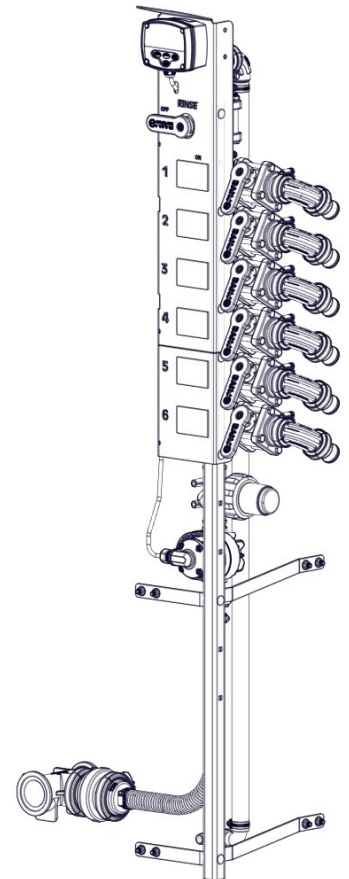


Start Up Test Procedure

1. Before use, check the plumbing with water to insure no leaks and all fittings and gaskets are tight.
2. See STS Inductor Owners Manual for proper STS Inductor operation.
3. See Oval Gear flowmeter instruction manual for proper operation of the meter.
4. Attach bulk products to the input 1" male quick coupler.
5. Slowly open the rinse valve to purge the manifold with water. Check for leaks.

Note: The Gear meter will register air. Important to purge the hose and plumbing of air in the lines.

IMPORTANT



⚠ WARNING

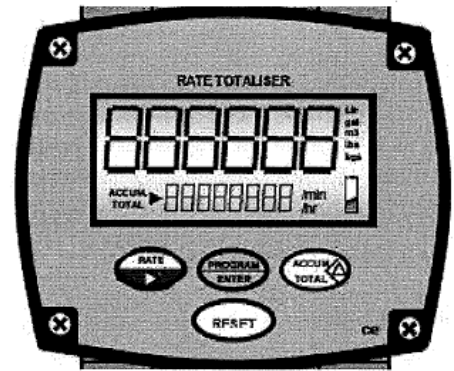
Operators need to have read and understand proper operation of STS INDUCTOR system before operating STS-EZ-METER System. Failure to do so can result in improper operation. Read and follow all instructions and have a complete understanding of each operation.

STS-EZ-METER System Operation

(Once ready to start adding inputs, make sure the STS INDUCTOR System is in proper operating mode.

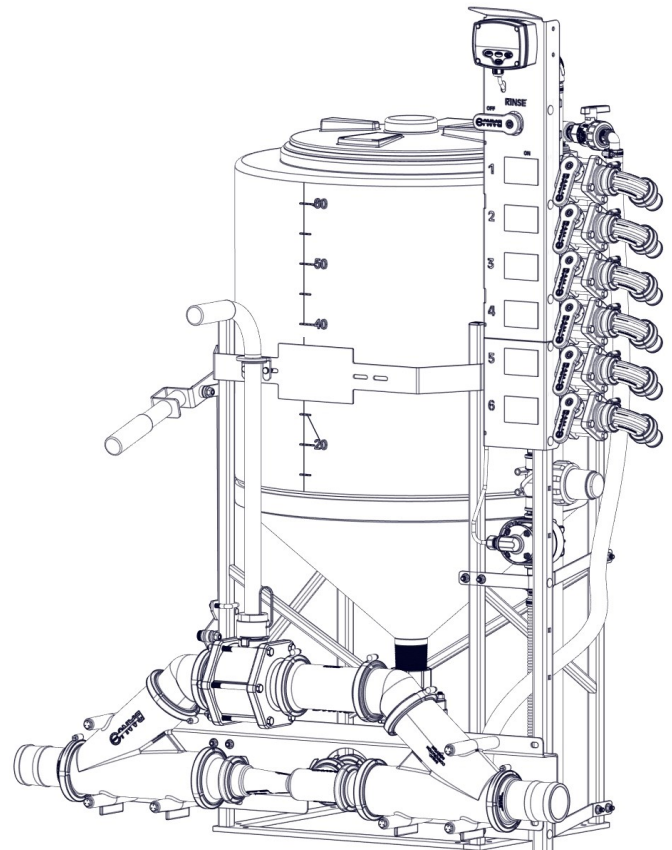
See STS INDUCTOR MANUAL for proper operation).

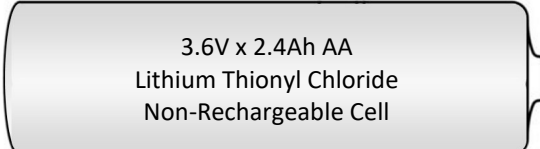
1. Reset digital display to zero by depressing the **RESET** button holding for 2 sec.
2. Identify the input and slowly open the valve.
3. Watch display and begin slowly closing the valve as it approaches the desired amount of product.
4. Close valve completely on desired amount.
5. Open rinse valve and flush column (1-2 gallons or operator preference).
6. Move to next input.
7. Reset digital display to zero by depressing the **RESET** button holding for 2 sec.
8. Repeat steps 2 thru 6.



Display stays illuminated, battery life rated at 2 to 3 years.

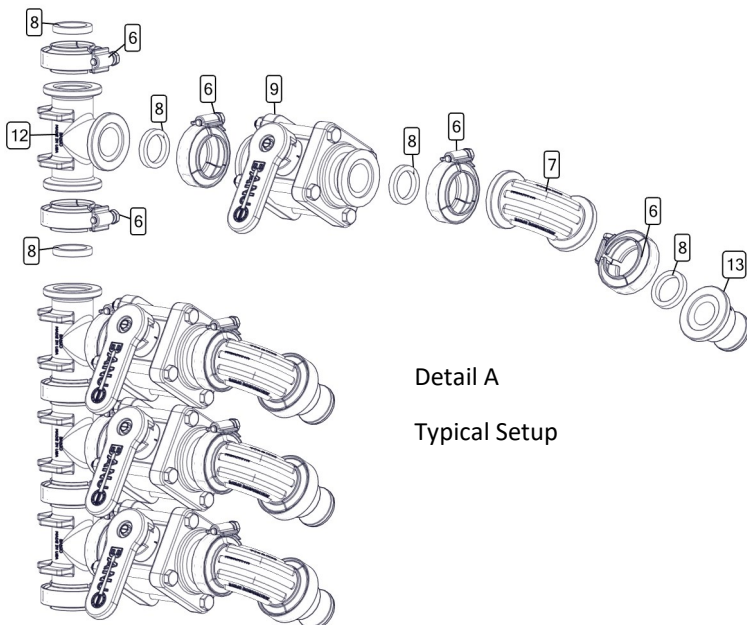
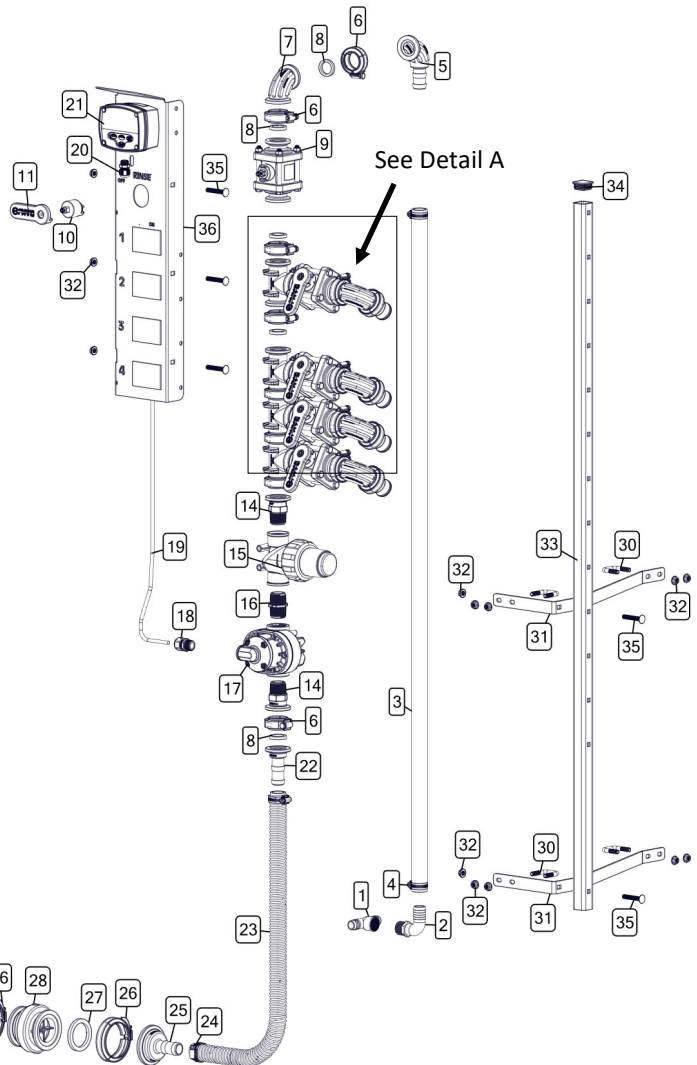
Equipped with Lithium Thionyl Chloride 3.6V x 2.4Ah AA battery.



Factory Supplied Batteries: P/No. 1312007	
	
Suitable Batteries also Available from:	
RS Omponents	Farnell Components
Stock No. 596-602	Order code 206-532

Breakdown - STS-EZ-METER 4-Product (5283077)

Ref. #	Part #	Description	Qty
1	3T34F	3/4" FPT x 3/4" HB x 3/4" HB Poly Tee	1
2	5010210	Poly Elbow, 3/4" MNPT x 1" HB	1
3	EPDM100	1" - 200 PSI EPDM Spray Hose	1
4	5051141	M12 Hose Clamp 1/2"-1 1/4"	2
5	M100BRBWP90	Banjo 1" Flange x 1" Hose Barb Sweep 90°	1
6	BJFC100	Banjo 1" Series Manifold Flange Clamp	20
7	M100SWP90	Banjo 1" Manifold Flange x 1" Flange Sweep 90°	5
8	M100G	Banjo 1" EPDM Manifold Flange Gasket	20
9	MV100CF	Banjo 1" Manifold Flanged Ball Valve	5
10	V10153138	Banjo 3/4 - 1" Handle Riser	1
11	V10153A	Banjo Handle	1
12	M100TEE	Banjo 1" Manifold Flange Tee	4
13	M100A	Banjo 1" Manifold Flange x 1" Male Adapter	4
14	M100MPT	Banjo 1" Manifold Flange x 1" Male Pipe Thread	2
15	5116475	Line Filter 1" FNPT, 50 Mesh	1
16	5011201	Banjo " MPT x 1" MPT - Short Poly Pipe Nipple	1
17	OM025P001-822	1" PPS High Accuracy Chemical Flow Meter	1
18	5043046	Cable Gland, 1/2 MPT x .2-.35 DIA	1
19	5043047	18/2 Electrical Cable, 10A Rated	1
20	5043045	Cable Gland, M16 x .13-.27 DIA	1
21	RT406D0FM	RT40 Flow Rate Totalizer	1
22	M100BRB	Banjo 1" Manifold Flange x 1" Hose Barb	1
23	KF1300BLK	1" Kanaflex 50 PSI Suction Hose	1
24	M16	SS Hose Clamp 11/16" - 1 1/2"	2
25	M220100BRB	Banjo 2" Full Port x 1" Hose Barb	1
26	5051138	Banjo 220 Series Manifold Flange Clamp	2
27	5072216	Banjo 2" EPDM Gasket-220 Series	2
28	MCV220	Banjo 2" Full Port Flanged Check Valve	1
29	M220TEE	Banjo 2" Full Port Flanged Manifold Tee	1
30	5034855	5/16-18 x 1.125 x 1.50 Square U-Bolt	4
31	5070484-BLK	STS EZ-Meter Support Bracket	2
32	5006307	5/16-18 Serrated Flng Hex Nut	13
33	5070483-BLK	STS EZ-Meter Support Tube	1
34	5046439	Tube Cap, 1-1/4 Square	1
35	5034536	5/16-18 x 2.00 Carriage Bolt	5
36	5099097-BLK	STS EZ-Meter Panel	1



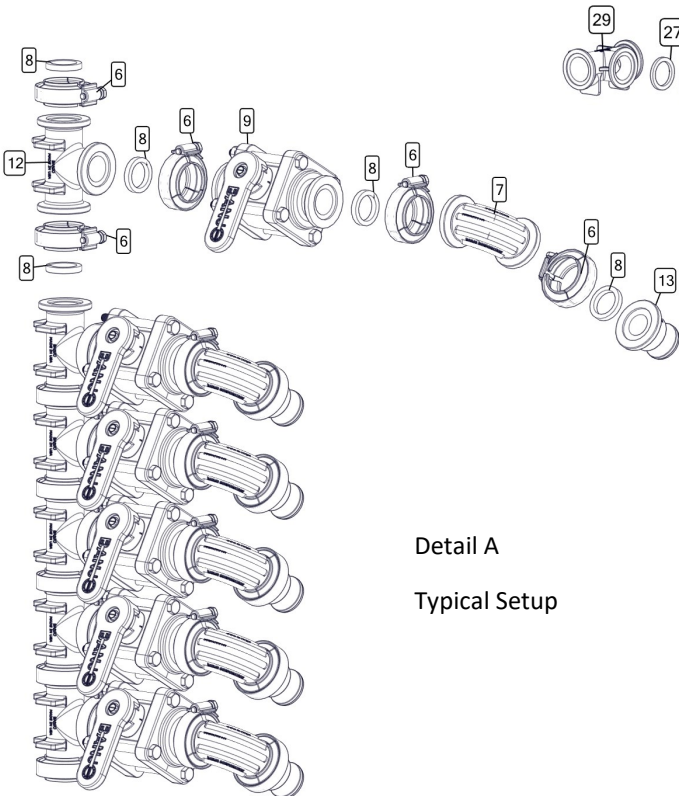
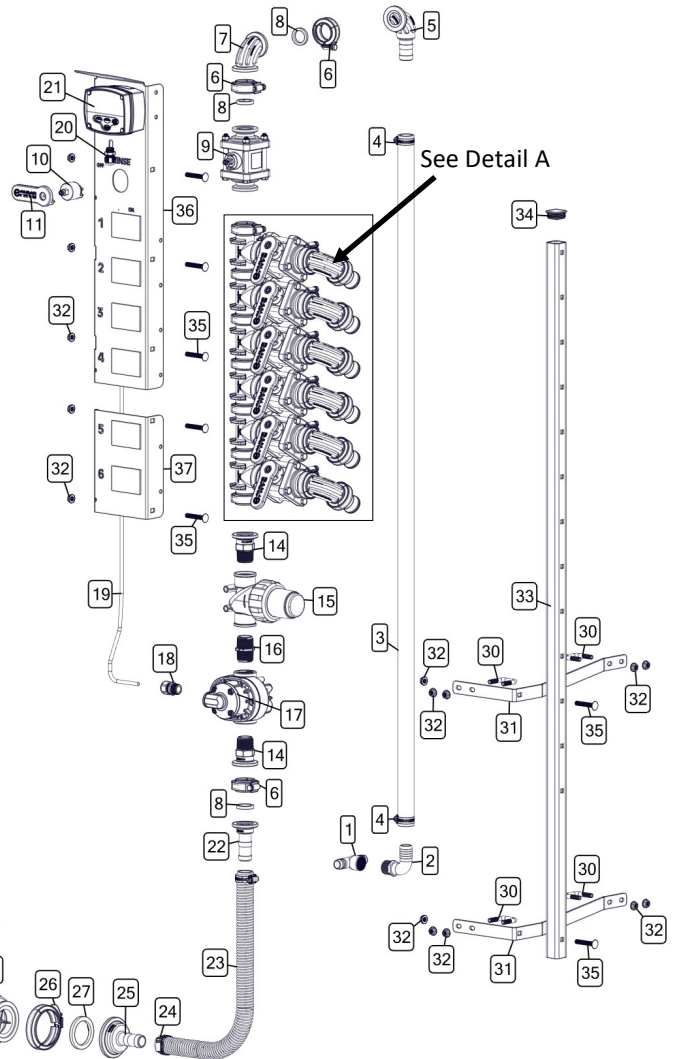
Detail A
Typical Setup

The STS-EZ-METER System Display Height

The STS-EZ-METER System display and control panel can be adjusted to different heights to best meet the operators needs to observe the display and operate the control valves. Simply remove the (3) 5/16 bolts and nuts (Ref. #32 & #35) and relocate to the desired height that align with pre-cut holes in vertical support tube (Ref. #33). Once desired height is obtained, re-install (3) 5/16 bolts and nuts (Ref. #32 & #35).

Breakdown - STS-EZ-METER 6-Product (5283078)

Ref. #	Part #	Description	Qty
1	3T34F	3/4" FPT x 3/4" HB x 3/4" HB Poly Tee	1
2	5010210	Poly Elbow, 3/4" MNPT x 1" HB	1
3	EPDM100	1" - 200 PSI EPDM Spray Hose	1
4	5051141	M12 Hose Clamp 1/2"-1 1/4"	2
5	M100BRBWP90	Banjo 1" Flange x 1" Hose Barb Sweep 90°	1
6	BJFC100	Banjo 1" Series Manifold Flange Clamp	28
7	M100SWP90	Banjo 1" Manifold Flange x 1" Flange Sweep 90°	7
8	M100G	Banjo 1" EPDM Manifold Flange Gasket	28
9	MV100CF	Banjo 1" Manifold Flanged Ball Valve	7
10	V10153138	Banjo 3/4 - 1" Handle Riser	1
11	V10153A	Banjo Handle	1
12	M100TEE	Banjo 1" Manifold Flange Tee	6
13	M100A	Banjo 1" Manifold Flange x 1" Male Adapter	6
14	M100MPT	Banjo 1" Manifold Flange x 1" Male Pipe Thread	2
15	5116475	Line Filter 1" FNPT, 50 Mesh	1
16	5011201	Banjo " MPT x 1" MPT - Short Poly Pipe Nipple	1
17	OM025P001-822	1" PPS High Accuracy Chemical Flow Meter	1
18	5043046	Cable Gland, 1/2 MPT x .2-.35 DIA	1
19	5043047	18/2 Electrical Cable, 10A Rated	1
20	5043045	Cable Gland, M16 x .13-.27 DIA	1
21	RT406D0FM	RT40 Flow Rate Totalizer	1
22	M100BRB	Banjo 1" Manifold Flange x 1" Hose Barb	1
23	KF1300BLK	1" Kanaflex 50 PSI Suction Hose	1
24	M16	SS Hose Clamp 11/16" - 1 1/2"	2
25	M220100BRB	Banjo 2" Full Port x 1" Hose Barb	1
26	5051138	Banjo 220 Series Manifold Flange Clamp	2
27	5072216	Banjo 2" EPDM Gasket-220 Series	2
28	MCV220	Banjo 2" Full Port Flanged Check Valve	1
29	M220TEE	Banjo 2" Full Port Flanged Manifold Tee	1
30	5034855	5/16-18 x 1.125 x 1.50 Square U-Bolt	4
31	5070484-BLK	STS EZ-Meter Support Bracket	2
32	5006307	5/16-18 Serrated Flng Hex Nut	15
33	5070483-BLK	STS EZ-Meter Support Tube	1
34	5046439	Tube Cap, 1-1/4 Square	1
35	5034536	5/16-18 x 2.00 Carriage Bolt	7
36	5099097-BLK	STS EZ-Meter Panel	1
37	5099098-BLK	STS EZ-Meter Add-On Panel	1



Detail A
Typical Setup

The STS-EZ-METER System Display Height

The STS-EZ-METER System display and control panel can be adjusted to different heights to best meet the operators needs to observe the display and operate the control valves. Simply remove the (5) 5/16 bolts and nuts (Ref. #32 & #35) and relocate to the desired height that align with pre-cut holes in vertical support tube (Ref. #33). Once desired height is obtained, re-install (5) 5/16 bolts and nuts (Ref. #32 & #35).

Warranty

LIMITED WARRANTY FOR NEW AG SPRAY EQUIPMENT

WHO MAY USE THIS LIMITED WARRANTY. This limited warranty (the "Limited Warranty") is provided by Ag Spray Equipment to the original purchaser ("you") of the Equipment (as defined below) from Ag Spray Equipment or one of Ag Spray Equipment's authorized dealers. This Limited Warranty does not apply to any subsequent owner or other transferee of the Equipment. THIS LIMITED WARRANTY GIVES YOU SPECIFIC LEGAL RIGHTS, AND YOU MAY ALSO HAVE OTHER RIGHTS WHICH VARY FROM STATE TO STATE.

WHAT THIS LIMITED WARRANTY COVERS AND FOR HOW LONG. Ag Spray Equipment warrants that any new Equipment will be free from defects in material and workmanship for a period of **one (1) year** (homeowner), **90 days** (commercial user), after delivery of the Equipment to you (the "Warranty Period"). The Warranty Period is not extended if Ag Spray Equipment repairs or replaces the Equipment.

WHAT IS NOT COVERED BY THIS LIMITED WARRANTY. This Limited Warranty does not apply to: (1) used Equipment; (2) any Equipment that has been altered, changed, repaired or treated since its delivery to you, other than by Ag Spray Equipment or its authorized dealers; (3) damage or depreciation due to normal wear and tear; (4) defects or damage due to failure to follow Ag Spray Equipment's operator's manual, specifications or other written instructions, or improper storage, operation, maintenance, application or installation of parts; (5) defects or damage due to misuse, accident or neglect, "acts of God" or other events beyond Ag Spray Equipment's reasonable control; (6) accessories, attachments, tools or parts that were not manufactured by Ag Spray Equipment, whether or not sold or operated with the Equipment; or (7) rubber parts, such as tires, hoses and grommets.

HOW TO OBTAIN WARRANTY SERVICE. To obtain warranty service under this Limited Warranty, you must (1) provide written notice to Ag Spray Equipment of the defect during the Warranty Period and within **thirty (30)** days after the defect becomes apparent or the repair becomes necessary, at the following address: Ag Spray Equipment, 1000 Fimco Lane, North Sioux City, SD 57049; and (2) make the Equipment available to Ag Spray Equipment or an authorized dealer within a reasonable period of time. For more information about this Limited Warranty, please call: **800-274-1025** or your local Ag Spray location.

WHAT REMEDIES ARE AVAILABLE UNDER THIS LIMITED WARRANTY. If the conditions set forth above are fulfilled and the Equipment or any part thereof is found to be defective, Ag Spray Equipment shall, at its own cost, and at its option, either repair or replace the defective Equipment or part. Ag Spray Equipment will pay for shipping and handling fees to return the repaired or replacement Equipment or part to you.

LIMITATION OF IMPLIED WARRANTIES AND OTHER REMEDIES. THE REMEDIES DESCRIBED ABOVE ARE YOUR SOLE AND EXCLUSIVE REMEDIES, AND AG SPRAY EQUIPMENT'S SOLE LIABILITY, FOR ANY BREACH OF THIS LIMITED WARRANTY. TO THE EXTENT APPLICABLE, ANY IMPLIED WARRANTIES, INCLUDING, WITHOUT LIMITATION, THE IMPLIED WARRANTIES OF MERCHANTABILITY AND FITNESS FOR A PARTICULAR PURPOSE, SHALL BE LIMITED IN DURATION TO THE WARRANTY PERIOD, AND THE REMEDIES AVAILABLE FOR BREACH THEREOF SHALL BE LIMITED TO THE REMEDIES AVAILABLE UNDER THIS EXPRESS LIMITED WARRANTY. SOME STATES DO NOT ALLOW LIMITATIONS ON HOW LONG AN IMPLIED WARRANTY LASTS, SO THE ABOVE LIMITATION MAY NOT APPLY TO YOU. IN NO EVENT SHALL AG SPRAY EQUIPMENT'S LIABILITY UNDER THIS LIMITED WARRANTY EXCEED THE ACTUAL AMOUNT PAID BY YOU FOR THE DEFECTIVE EQUIPMENT, NOR SHALL AG SPRAY EQUIPMENT BE LIABLE, UNDER ANY CIRCUMSTANCES, FOR ANY CONSEQUENTIAL, INCIDENTAL, SPECIAL OR PUNITIVE DAMAGES OR LOSSES, WHETHER DIRECT OR INDIRECT. SOME STATES DO NOT ALLOW THE EXCLUSION OR LIMITATION OF INCIDENTAL OR CONSEQUENTIAL DAMAGES, SO THE ABOVE LIMITATION OR EXCLUSION MAY NOT APPLY TO YOU.